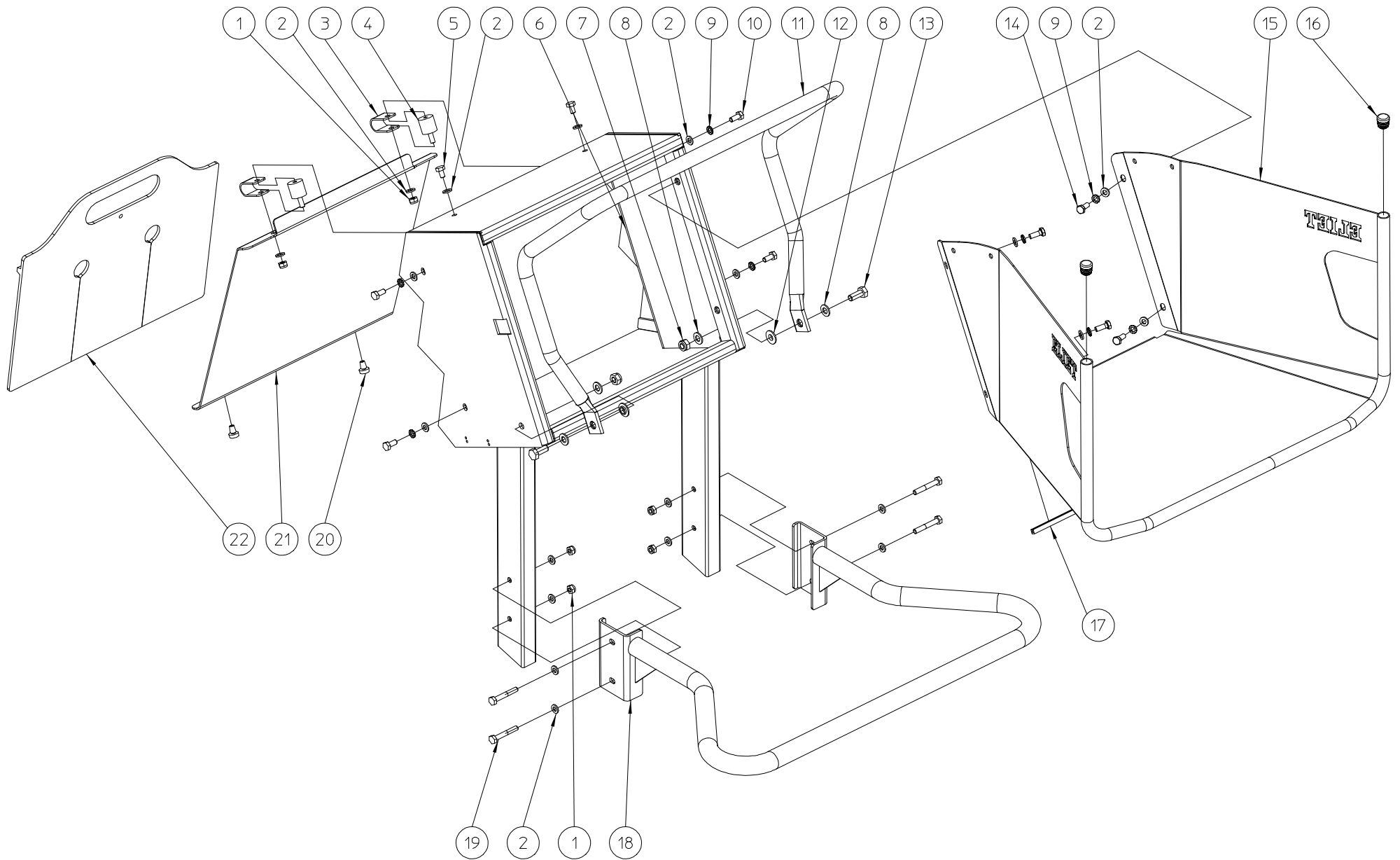


ELIET MAJOR 4S -- GENERAL

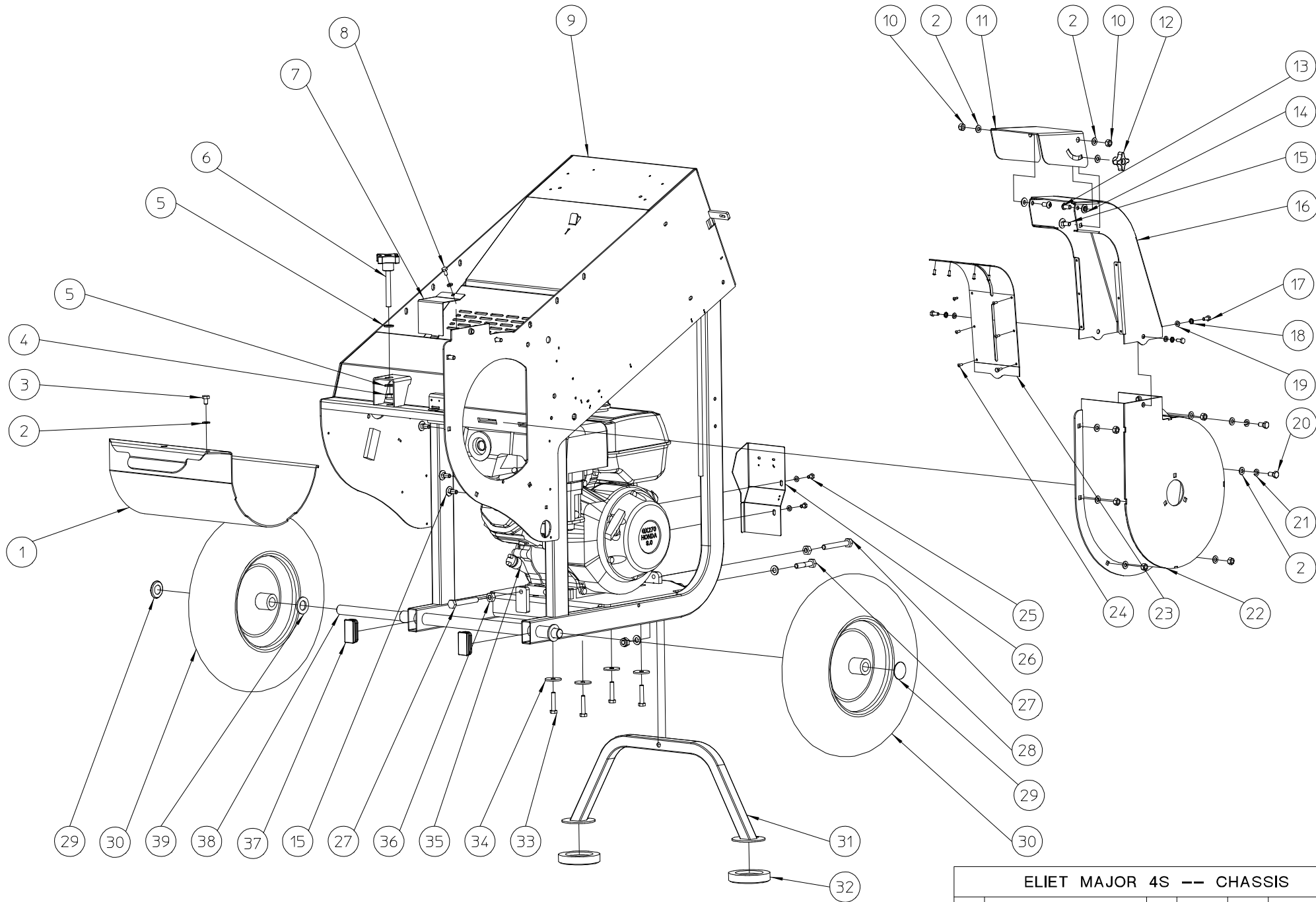
NO	MMA 01 041 100	REV	4	DATE
----	----------------	-----	---	------

#	Order nr	article description	quantity
1	MMA 01 041 110	machine front side	1
2	MMA 01 041 120	chassis	1
3	MMA 01 041 130	rotor	1
4	MMA 01 041 140	transmission	1
5	MMA 01 041 150	electrical system	1
6	MMA 01 041 160	rental kit	1
7	MMA 01 041 170	metal tank rental kit	1
8	MMA 01 041 210	stickers eliet	1



ELIET MAJOR 4S -- MACHINE FRONT SIDE				
NO	MMA 01 041 110	REV	3	DATE 2017/01/10

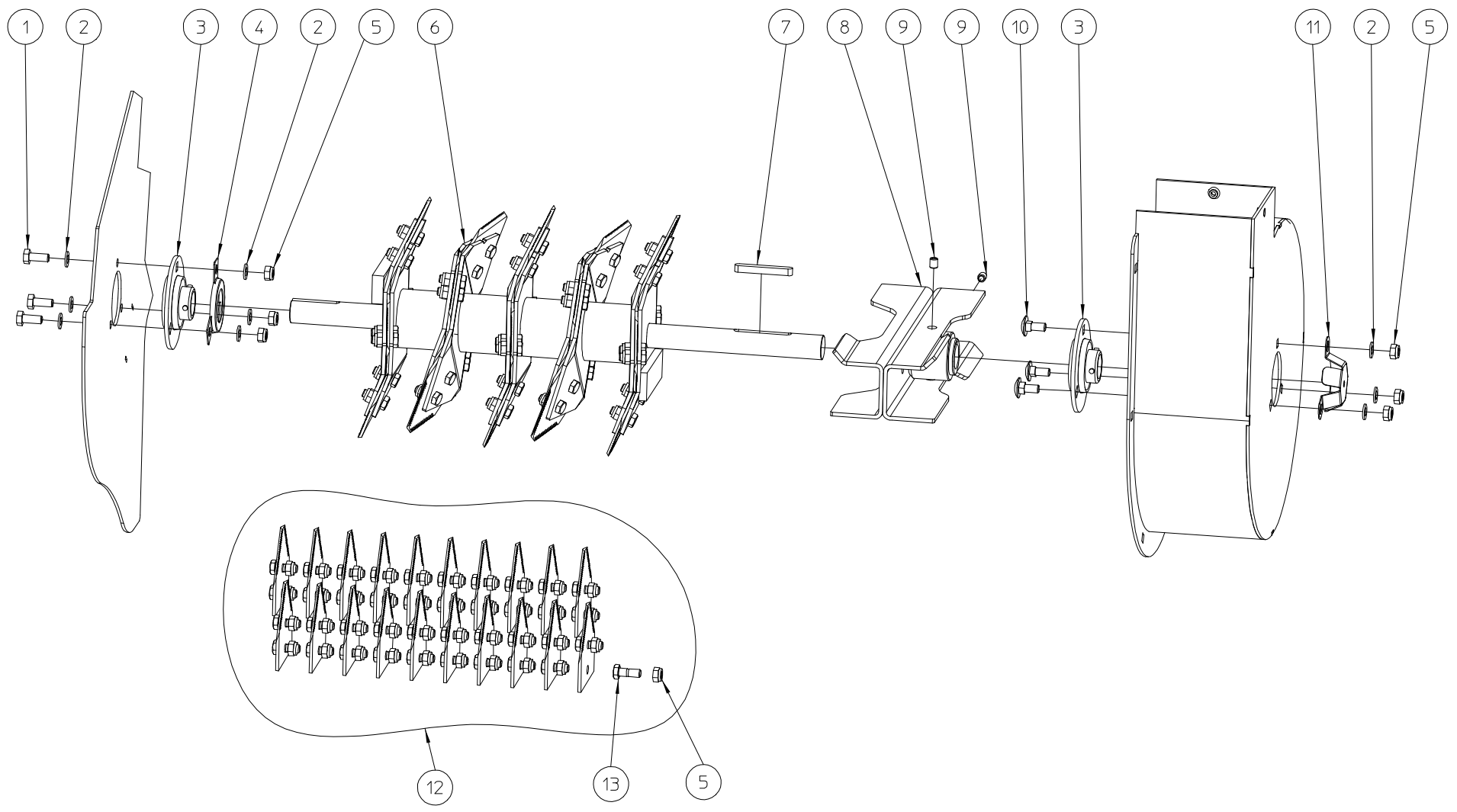
#	Order nr	article description	quantity
1	BS 502 000 600	self locking nut m6 din 985	6
2	BS 531 000 600	washer m6 din 125	20
3	BR 910 000 020	retainer ertalon 80x20x2	2
4	BR 600 220 200	antivibration blocks 20x20b m6x15	2
5	BS 512 000 610	bolt m6x10 din 933	2
6	MPA 01 041 280	safety plate	2
7	BS 502 000 800	self locking nut m8 din 985	2
8	BS 531 000 800	washer m8 din 125	4
9	BS 534 000 600	lock washer m6 din 6798a	8
10	BS 512 000 614	bolt m6x14 din 933	4
11	MPA 01 040 040	safety handle	1
12	BR 112 080 300	nylon bushing with collar (8.2/10.9/18x3.5/1.5)	2
13	BS 512 000 820	bolt m8x20 din 933	2
14	BS 512 000 616	bolt m6x16 din 933	4
15	MPA 01 041 680	hopper major 4s v2016	1
16	BR 020 501 160	tube plug 16 mm	2
17	BR 000 910 280	rubber u-moulding 280mm	1
18	MPA 01 040 021	handlebars - 2008	1
19	BS 511 000 640	bolt m6x40 din 931	4
20	BR 602 006 151	rubber bumper	2
21	MPA 01 041 220	anti projection shield major 4s	1
22	BR 900 001 740	rubber	1



ELIET MAJOR 4S -- CHASSIS

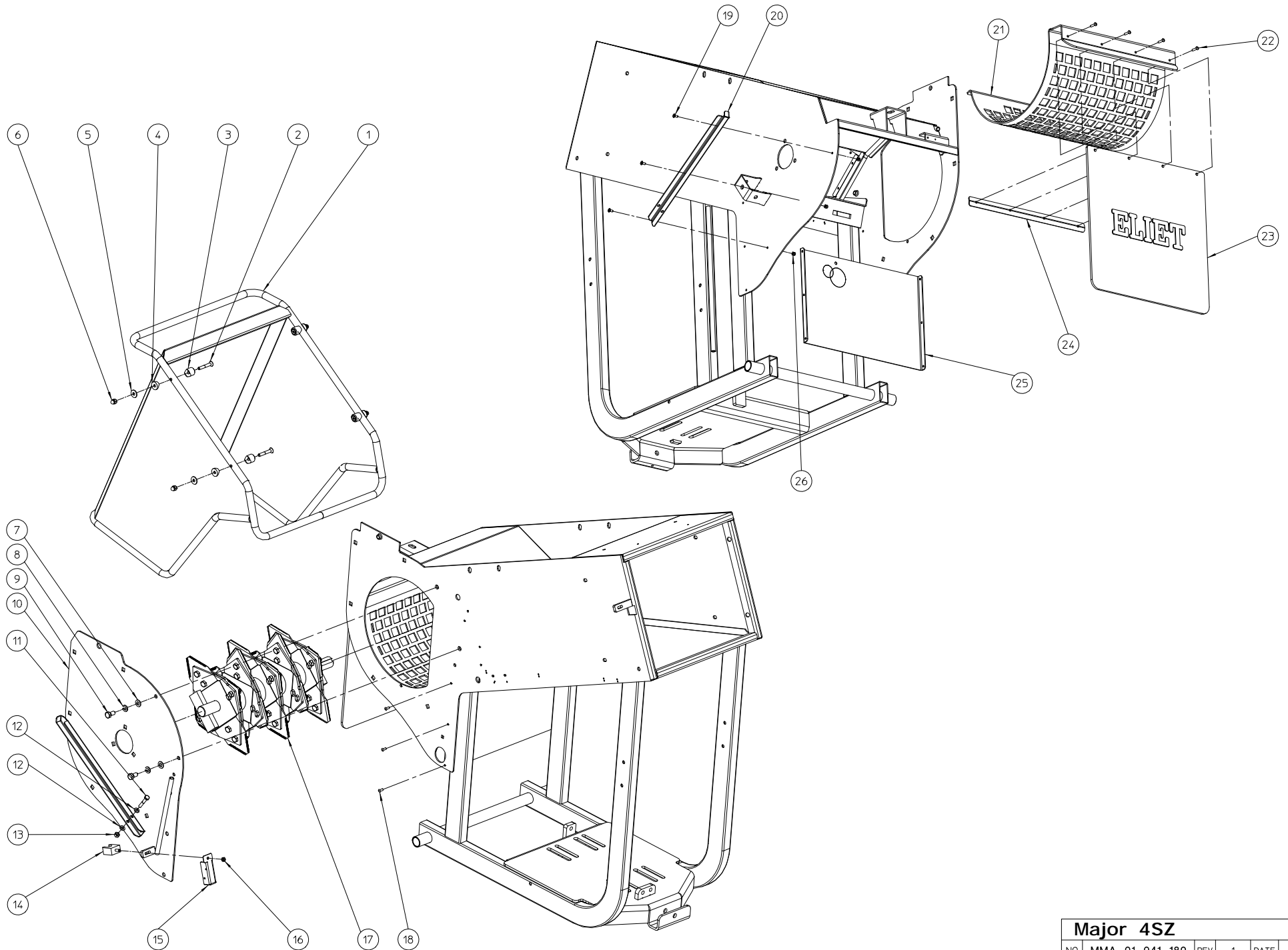
NO	MMA 01 041 120	REV	3	DATE	2017/04/04
----	----------------	-----	---	------	------------

#	Order nr	article description	quantity
1	MPA 01 041 090	closing rotor major 4s	1
2	BS 531 000 800	washer m8 din 125	15
3	BS 512 000 812	bolt m8x12 din 933	1
4	BS 502 001 000	self locking nut m10 din 985	2
5	BS 531 001 000	washer m10 din 125	4
6	BN 630 510 480	lob knob Ø60mm - m10x80	1
7	MPA 01 041 100	cover for safety switch mi/ma 4s	1
8	BS 512 000 612	bolt m6x12 din 933	1
9	MPA 01 041 030	chassis major 4s	1
10	MDT 01 041 030	blower	1
11	MPA 01 041 240	directional valves blow chute major 4s	1
12	BN 630 808 400	lob knob 188-40 m8	1
13	BS 522 500 816	screw m8x16 iso 7380	2
14	BR 112 080 300	nylon bushing with collar (8.2/10.9/18x3.5/1.5)	2
15	BS 554 100 820	bolt m8x20 din 603	6
16	MPA 01 041 080	blow chute major 4s	1
17	BS 512 000 614	bolt m6x14 din 933	3
18	BS 534 000 600	lock washer m6 din 6798a	3
19	BS 531 000 600	washer m6 din 125	6
20	BS 512 000 816	bolt m8x16 din 933	2
21	BS 533 000 800	lock washer m8 din 127b	2
22	MPA 01 041 040	turbine housing major 4s	1
23	MPA 01 041 230	protection blow chute major 4s	1
24	BB 221 104 100	pop plug alu 3.9x10 din 7337 a	10
25	BS 512 000 610	bolt m6x10 din 933	2
26	MPA 01 010 290	front plate gx270	1
27	BS 512 001 048	bolt m10x80 din 933	2
28	BS 511 001 042	bolt m10x50 din 931	1
29	BB 011 000 200	starlock 20mm	2
30	BW 040 020 000	wheel 4.80-4	2
31	MPA 01 041 050	foot major 4s	1
32	BR 900 000 110	rubber socks dia 90x18mm	2
33	BS 512 000 840	bolt m8x40 din 933	4
34	BS 532 008 356	washer m8x35x3	4
35	BM 202 109 000	honda gx 270	1
36	BS 501 001 000	nut m10 din 934	2
37	BR 021 150 250	cap pvc black 50x25	2
38	MPA 01 041 250	wheel shaft major 4s	1
39	BS 531 002 000	washer m20 din 125	2



ELIET MAJOR 4S -- ROTOR				
NO	MMA 01 041 130	REV	1	DATE 2016/03/08

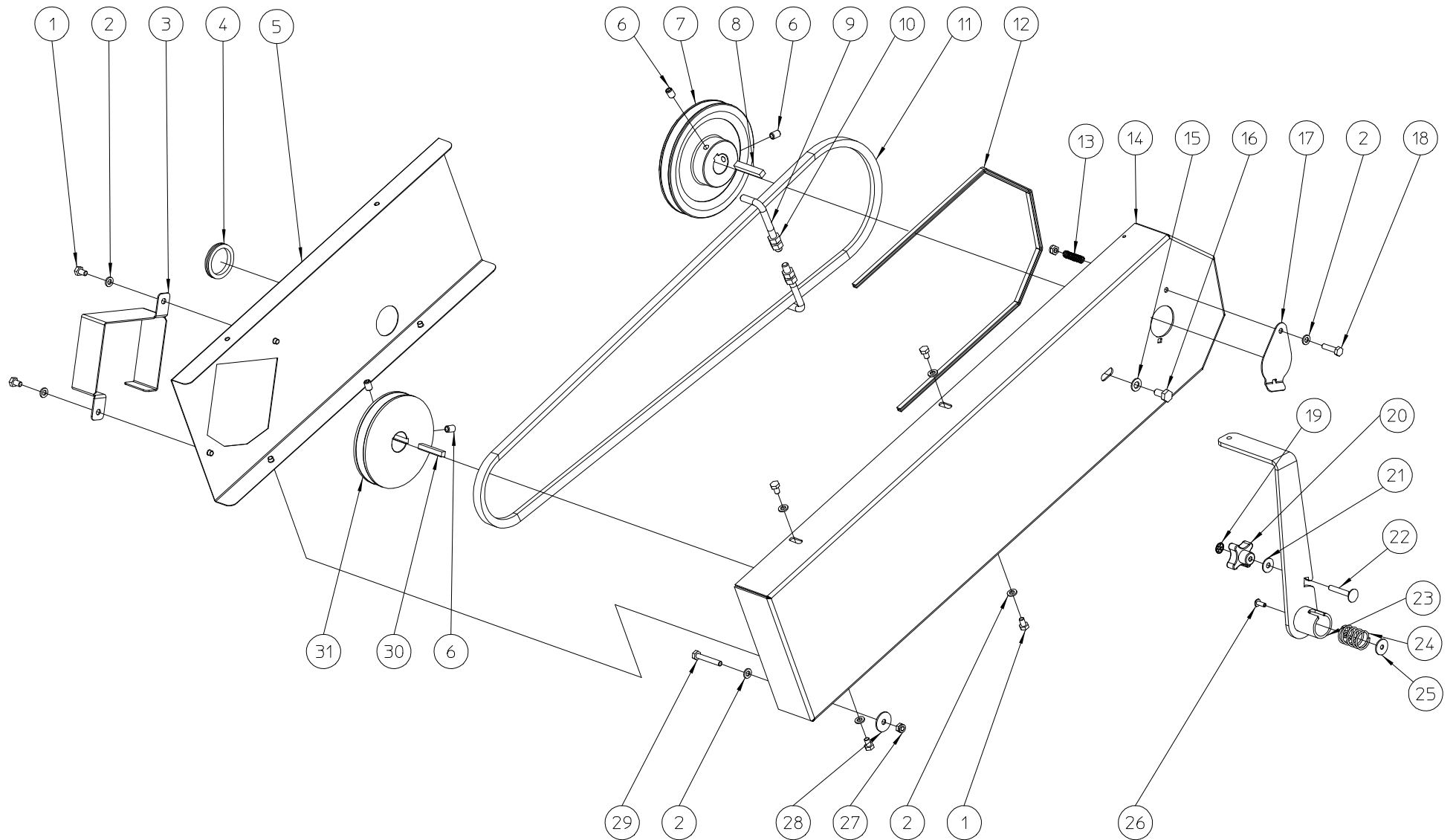
#	Order nr	article description	quantity
1	BS 512 000 820	bolt m8x20 din 933	3
2	BS 531 000 800	washer m8 din 125	9
3	BL 801 502 500	bearing + flanges aspf 205	2
4	MPA 01 041 270	bearing protection cover pf205	1
5	BS 502 000 800	self locking nut m8 din 985	6
6	MPA 01 041 060	rotor major 4s	1
7	BB 351 080 760	key 8x7x60 din 6885a	1
8	MPA 01 041 070	propeller major 4s	1
9	BS 023 000 810	set screw m8x10 din 916	2
10	BS 554 100 820	bolt m8x20 din 603	3
11	MPA 01 041 260	bearing protection cover pf205 + shaft	1
12	BU 401 200 302	set of knives (20)	1
13	BS 011 000 822	bolt m8x22 din 931	0



Major 4SZ							
NO	MMA 01 041 180	REV	1	DATE	2015/10/12		

LISTE EXPLODE MMA 01 041 180 KIT GRILLE CALIBRAGE MAJOR

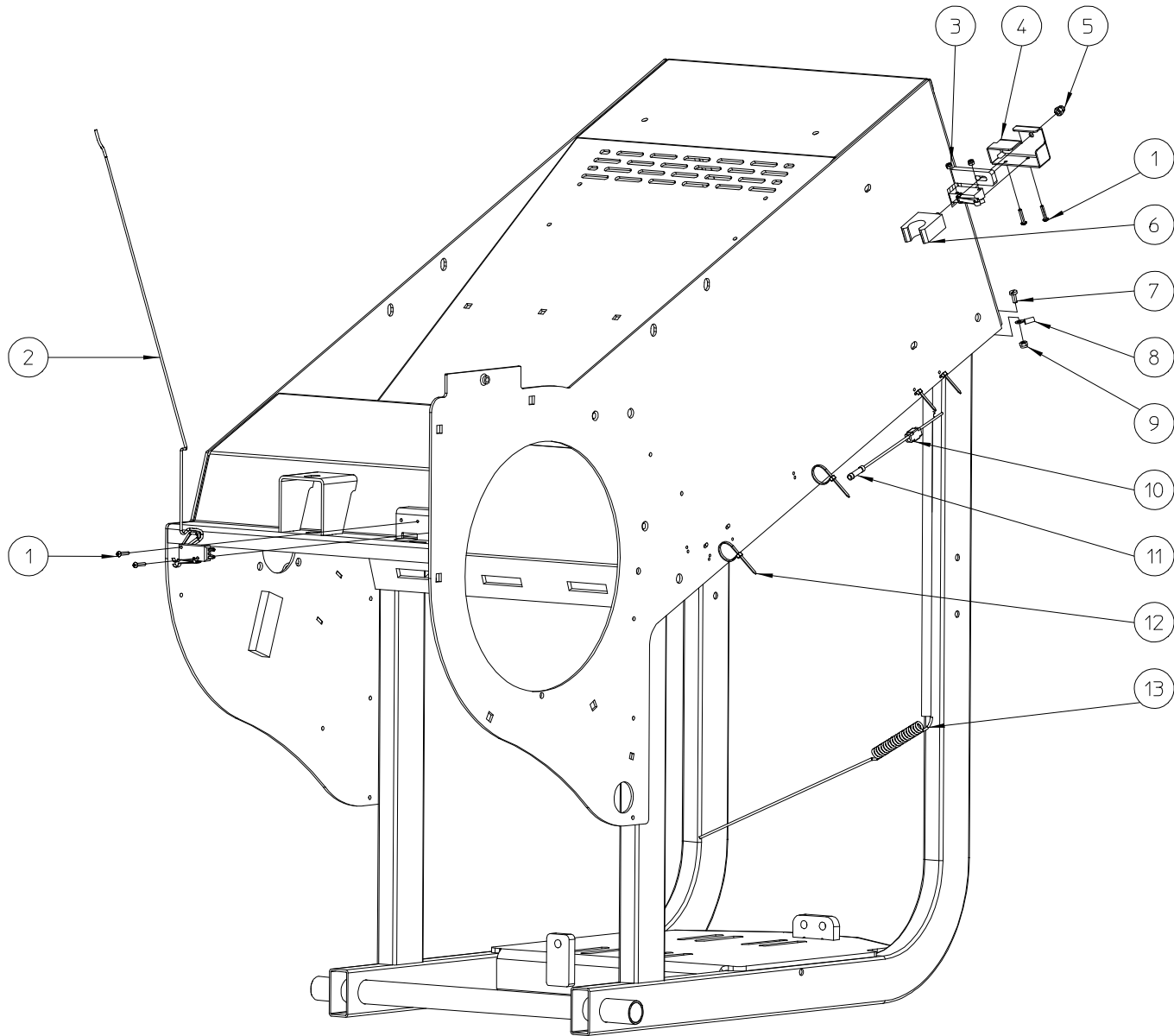
Nom	N° pos.	Description	Qté modèles
MPA 01 041 320	1	PROTECTION ARRIERE	1
BS 522 100 640	2	DIN 7991 VIS A TETE FRAISEE M6X40	4
BR 910 000 780	3	ENTRETOISE DE FORME Ø:18MM LG:17MM	4
BR 011 901 050	4	RONDELLE DE FORME - B=6,2MM C=19MM A=18 A 20MM	4
BS 532 006 183	5	RONDELLE DE CARROSSERIE M6X18X1.5 DIN 440	4
BS 505 800 600	6	DIN 986 ECROU NYLON A TETE RONDE M6	4
BS 531 000 800	7	DIN 125 RONDELLE M8	2
BS 533 000 800	8	DIN 127 RONDELLE GROER M8	2
BS 512 000 816	9	DIN 933 VIS M8X16	2
MPA 01 041 310	10	COTE SUPPORT ROULEMENT	1
BS 511 000 635	11	DIN 931 VIS M6X35	2
BS 531 000 600	12	DIN 125 RONDELLE M6	4
BS 502 000 600	13	DIN 985 ECROU NYLON M6	2
BT 654 001 601	14	CLIPS 16 COULE AVEC BOULON M5X20	1
MPA 01 041 350	15	SUPPORT CONTACT	1
BS 501 000 500	16	DIN 934 ECROU M5	1
MPA 01 040 500	17	ROTOR COMPLET	1
BB 221 104 100	18	DIN 7337 RIVET ALU 3.9X10	6
BS 522 100 410	19	DIN 7991 VIS A TETE FRAISEE M4X10	3
MPA 01 041 330	20	RAIL	1
MPA 01 041 340	21	GRILLE CALIBRAGE	1
BB 221 104 160	22	DIN 7337 RIVET ALU 3.9X16	4
BR 900 001 030	23	BAVETTE ARRIERE MAJOR	1
MPA 01 040 080	24	PLAT DE FIXATION	1
MPA 01 041 360	25	TOLE ARRIERE	1
BS 502 000 400	26	DIN 985 ECROU NYLON M4	3



ELIET MAJOR 4S --- TRANSMISSION

NO	MMA 01 041 140	REV	3	DATE	2015/11/04
----	----------------	-----	---	------	------------

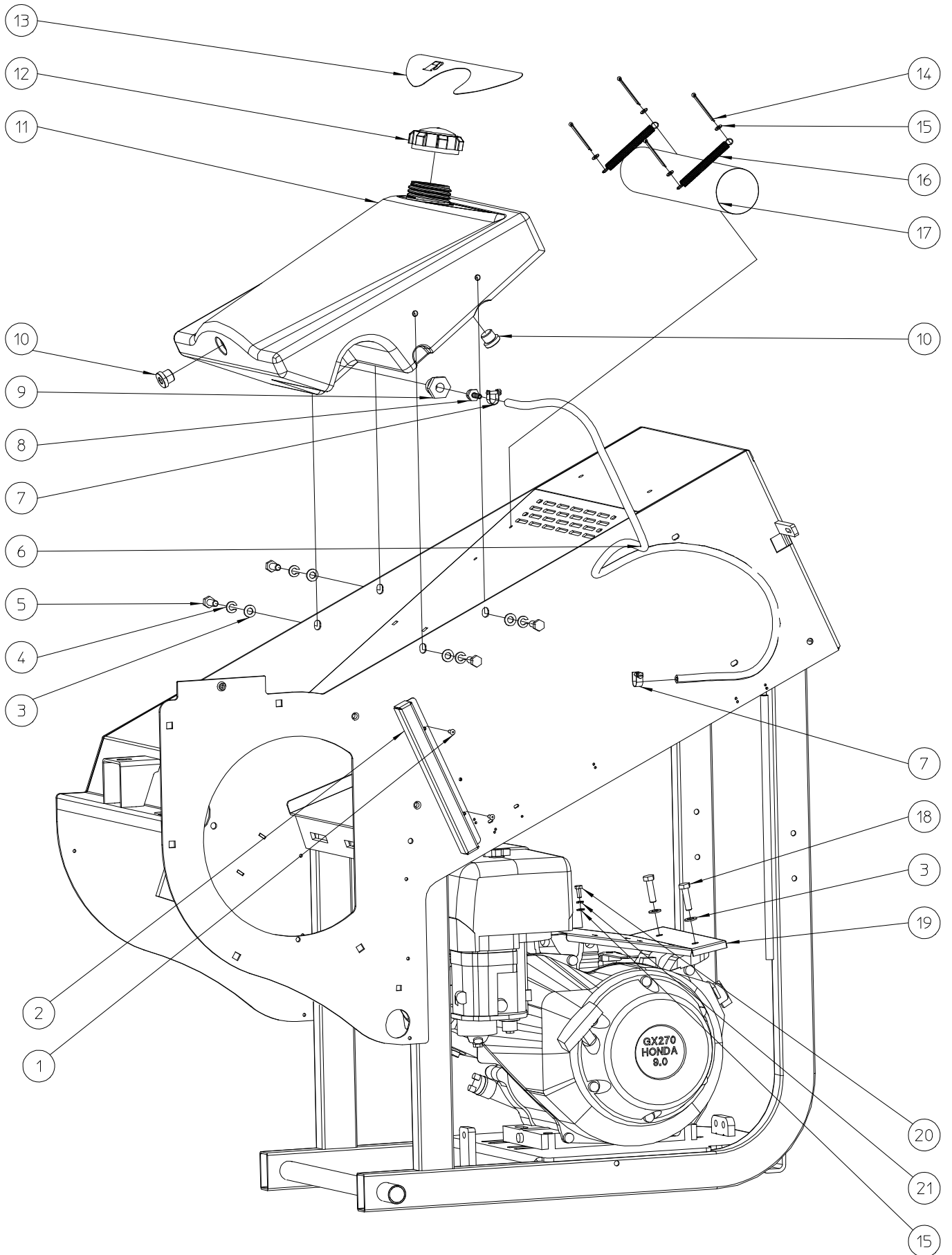
#	Order nr	article description	quantity
1	BS 512 000 610	bolt m6x10 din 933	6
2	BS 531 000 600	washer m6 din 125	8
3	MPA 01 010 170	protection engine shaft	1
4	BR 500 103 800	rubber plug 42x38x1.6	1
5	MPA 01 030 120	transmission guard (inside)	1
6	BS 023 000 812	set screw m8x12 din 916	4
7	BA 565 714 001	pulley spa 140x25x8	1
8	BB 341 080 745	key 8x7x45 din 6880	1
9	MPA 01 010 180	belt catcher	2
10	BS 501 000 800	nut m8 din 934	4
11	BA 521 216 000	belt xpa 1600	1
12	BR 000 910 600	rubber u-moulding 600mm	1
13	BV 904 000 010	compression spring Ø8.5x30mm fil Ø1mm	1
14	MPA 01 041 120	transmission guard mi/ma 4s	1
15	BS 531 000 800	washer m8 din 125	1
16	BS 512 000 816	bolt m8x16 din 933	1
17	MPA 01 041 210	flap mi/ma 4s	1
18	BS 512 000 625	bolt m6x25 din 933	1
19	BB 011 000 050	starlock 5mm	1
20	BN 630 206 000	lob knob 188-40 m6	1
21	BS 532 006 183	washer m6x18x1.5	1
22	BS 554 100 640	bolt m6x40 din 603	1
23	MPA 01 041 140	lever to unblock mi/ma 4s	1
24	BV 904 000 020	compression spring lever h.32 dia e.24 galvanized nt.6	1
25	BS 532 005 202	washer m5x20x1.5	1
26	BB 221 005 120	pop plug steel 4.8x12 din 7337 a	1
27	BS 502 000 600	self locking nut m6 din 985	2
28	BS 532 006 253	washer m6x25x1.5	1
29	BS 512 000 640	bolt m6x40 din 933	1
30	BB 342 060 640	key 6.35x6.35x40 din 6880	1
31	BA 565 711 201	pulley spa 112 (engine)	1



ELIET MAJOR 4S -- ELECTRICAL SYSTEM

NO	MMA 01 041 150	REV	1	DATE	2014/01/24
----	----------------	-----	---	------	------------

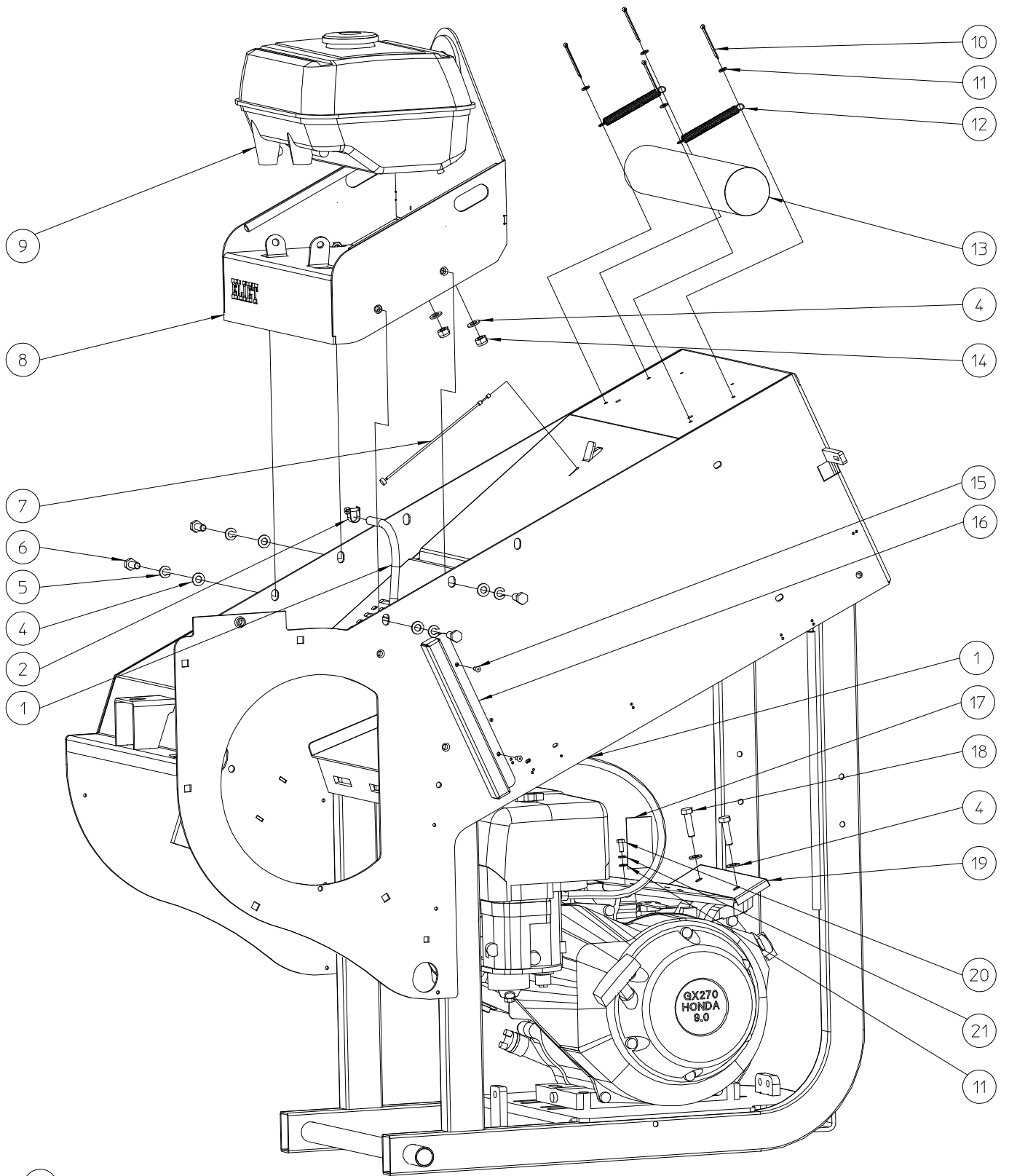
#	Order nr	article description	quantity
1	BS 522 500 316	screw m3x16 iso 7380	4
2	BE 120 010 500	safety switch	2
3	BS 502 000 300	self locking nut m3 din 985	2
4	MPA 01 010 200	cover for safety switch	1
5	BS 505 500 500	nut m5 din 1587	1
6	BT 654 001 901	clam 19mm	1
7	BS 541 000 410	screw m4x10 din 84	1
8	BE 031 013 000	eyed terminal m6	1
9	BS 502 000 400	self locking nut m4 din 985	1
10	BE 031 034 201	blue wire connector 2.5mm	1
11	BE 031 013 400	cable connexion red	1
12	BE 043 010 100	wrap tie 100x2.5	4
13	BE 090 231 141	red wire 1.5 ce 114	1



ELIET MAJOR 4S -- RENTAL KIT

NO	MMA 01 041 160	REV	2	DATE	2014/02/25
----	----------------	-----	---	------	------------

#	Order nr	article description	quantity
1	BB 221 104 100	pop plug alu 3.9x10 din 7337 a	2
2	MPA 01 041 290	protection petrol pipe	1
3	BS 531 000 800	washer m8 din 125	6
4	BS 533 000 800	lock washer m8 din 127b	4
5	BS 512 000 820	bolt m8x20 din 933	4
6	BR 202 005 100	fuel hose 5.5x1000mm	1
7	BT 670 109 110	hose clamp 9x11mm	2
8	BT 136 260 406	end piece 1/4" - 6mm	1
9	BH 514 100 804	reduction stud (m-f) 1/2"-1/4"	1
10	BH 518 500 600	blanking plug 3/8"	2
11	BY 717 210 014	plastic tank	1
12	BH 720 505 585	cap for tank	1
13	BQ 501 300 020	sticker petrol reservoir	1
14	BB 135 050 401	split pins Ø 3,2x40 din 94	4
15	BS 531 000 500	washer m5 din 125	5
16	BV 011 010 010	spring 1.0x10x100	2
17	BQ 051 320 550	manual casing 320mm	1
18	BS 512 000 830	bolt m8x30 din 933	2
19	MPA 01 040 580	protection plate engine	1
20	BS 512 000 512	bolt m5x12 din 933	1
21	BS 533 000 500	lock washer m5 din 127b	1

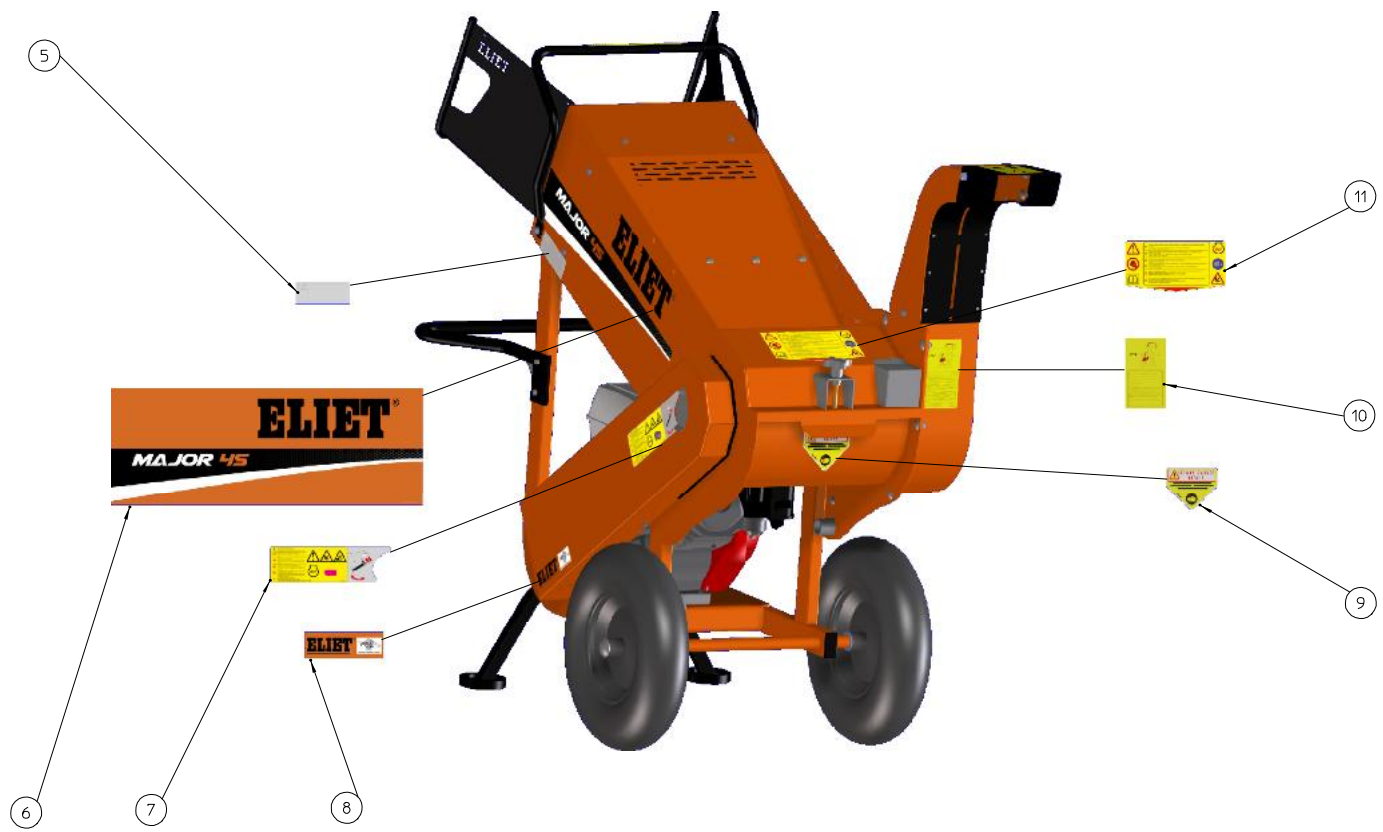
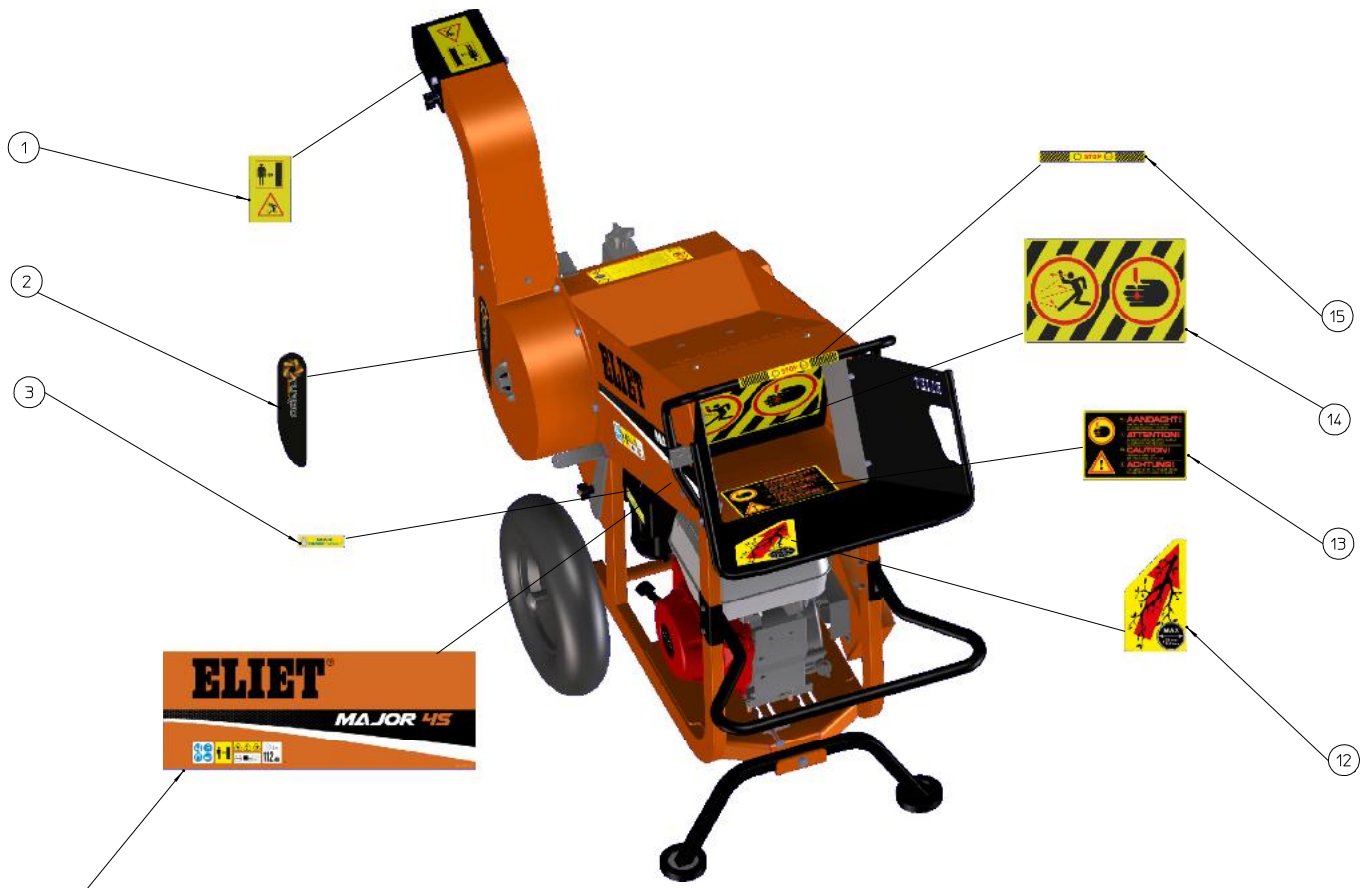


22
 CONVERSION KIT

ELIET MAJOR 4S -- METAL TANK RENTAL KIT

NO	MMA 01 041 170	REV	3	DATE	2017/01/12
----	----------------	-----	---	------	------------

#	Order nr	article description	quantity
1	BR 202 005 110	fuel hose 5.5x1100mm	1
2	BT 670 109 110	hose clamp 9x11mm	2
4	BS 531 000 800	washer m8 din 125	10
5	BS 533 000 800	lock washer m8 din 127b	4
6	BS 512 000 820	bolt m8x20 din 933	4
7	BK 153 210 170	cable	1
8	MPA 01 041 200	petrol reservoir support	1
9	BM 202 109 000	honda gx 270	1
10	BB 135 050 401	split pins Ø 3,2x40 din 94	4
11	BS 531 000 500	washer m5 din 125	5
12	BV 011 010 010	spring 1.0x10x100	2
13	BQ 051 320 550	manual casing 320mm	1
14	BS 502 000 800	self locking nut m8 din 985	4
15	BB 221 104 100	pop plug alu 3.9x10 din 7337 a	2
16	MPA 01 041 290	protection petrol pipe	1
17	BQ 505 010 391	safety stop sticker 135x75mm	1
18	BS 512 000 830	bolt m8x30 din 933	2
19	MPA 01 040 580	protection plate engine	1
20	BS 512 000 512	bolt m5x12 din 933	1
21	BS 533 000 500	lock washer m5 din 127b	1
22	MA 003 001 014	conversion kit major 4s to major 4s rental	0



MAJOR 4S -- STICKERS ELIET								
NO	MMA	01	041	210	REV	1	DATE	2015/11/04

#	Order nr	article description	quantity
1	BQ 505 014 100	safety sticker eject	1
2	BQ 501 010 110	sticker turbo discharge 220x57	1
3	BQ 505 010 030	sticker max 3200 rpm 90x25	1
4	BQ 501 040 030	sticker eliet major 4s (l)	1
5	BQ 505 010 010	identity sticker ce 120x30	1
6	BQ 501 040 040	sticker eliet major 4s (r)	1
7	BQ 505 010 430	safety sticker protection cover 231 x 65	1
8	BQ 501 010 120	sticker eliet patented shredding system	1
9	BQ 505 010 070	safety sticker 100x80 (hand cuts)	1
10	BQ 505 010 391	safety stop sticker 135x75mm	1
11	BQ 505 010 420	sticker check blade bolts 200 x 86	1
12	BQ 501 040 050	sticker direction input major	1
13	BQ 505 010 110	safety sticker 190x125 (in feed)	1
14	BQ 505 010 090	safety sticker 310x200	1
15	BQ 505 010 440	sticker safety bracket minor 4s / major 4s 200 x 25	1